

# E24c+

## User Manual





# WARNING

# AVERTISSEMENT

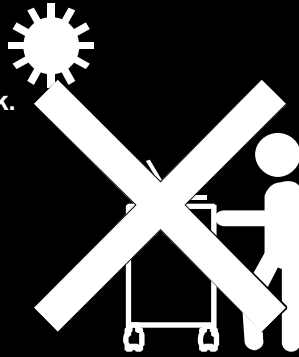
**ALWAYS FOLLOW SAFETY PRECAUTIONS**

**RESPECTEZ TOUJOURS LES CONSIGNES DE SÉCURITÉ**

- Death or serious injury may occur when children climb on audio and/or video equipment furniture. A remote control or toys placed on the furnishing may encourage a child to climb on the furnishing and as a result the furnishing may tip over on to the child.
- Relocating audio and/or video equipment to furniture not specifically designed to support audio and/or video equipment may result in death or serious injury due to the furnishing collapsing or over turning onto a child.
- Il y a un danger de blessures graves ou même de mort si un enfant grimpe sur un meuble pour matériels audio ou vidéo. Une télécommande ou un jouet laissés sur le meuble peuvent inciter l'enfant à y grimper, ce qui peut provoquer le basculement du meuble sur l'enfant.
- Le repositionnement de matériels audio ou vidéo sur un meuble non spécialement conçu pour cela peut causer la mort ou des blessures graves par effondrement ou renversement du meuble sur un enfant.

Only use the cart **INDOORS**  
to reduce risk of electric shock.

Pour réduire le risque de  
décharge électrique, n'utilisez  
le chariot **QU'À L'INTÉRIEUR**.



**ONLY ADULTS** should  
move the cart.

Le chariot ne doit être déplacé  
**QUE PAR DES ADULTES.**



**NEVER** climb, sit  
or stand on the cart.

Personne ne doit s'asseoir,  
se tenir ou grimper sur  
le chariot.

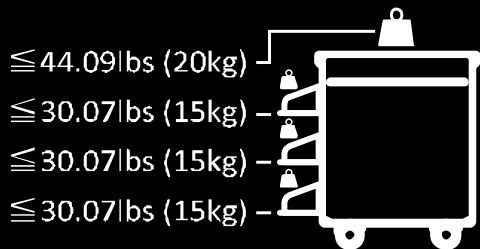


### **⚠ CAUTION**

This cart is intended for use only with loading as indicated. Use with loads greater than indicated may result in instability causing possible injury.

### **⚠ MISE EN GARDE**

Ce chariot est conçu pour n'être utilisé qu'avec des charges telles qu'indiquées. L'utilisation avec des charges supérieures aux indiquées peut rendre le chariot instable et causer des blessures.



## CAUTION

- **DO NOT** allow anyone to sit, stand or climb on the cart.
- **DO NOT** lift the cart.
- **DO NOT** block the ventilation holes used for air circulation.
- **DO NOT** overload objects on the cart shelves. (work platform maximum loading = 20kg / 44.09lbs; each shelf maximum loading = 15kg / 30.07lbs).
- **DO NOT** put any devices over the maximum loading weight on top of the cart.
- When moving the cart, **DO NOT** put any devices (ex: TV, Monitor, Documents camera...etc.) on top of cart.
- **DO NOT** use a TV/monitor on top of the cart.
- Disconnect the power from the outlet before moving the cart.
- While moving the cart, make sure the power cord is secured and tightly wrapped.
- When moving carts over uneven flooring, please try to slightly lift and stabilize the cart to avoid damage.

## ATTENTION !

- **PERSONNE** ne doit s'asseoir, se tenir ou grimper sur le chariot.
- **IL NE FAUT PAS** soulever le chariot.
- **IL NE FAUT PAS** obstruer les orifices de ventilation qui permettent à l'air de circuler.
- **IL NE FAUT PAS** surcharger d'objets les étagères du chariot (charge maximale de la plateforme de travail : 20 kg / 44,09lbs ; charge maximale de chaque étagère : 15 kg / 30,07lbs).
- **IL NE FAUT PAS** poser sur le haut du chariot des appareils dont le poids dépasse la charge maximale.
- Pour déplacer le chariot, **IL NE FAUT** poser aucun appareil (poste de TV, moniteur, caméra pour documents, etc.) sur le haut dudit chariot.
- N'utilisez aucun téléviseur ni moniteur sur le haut du chariot.
- Avant de déplacer le chariot, débranchez la prise secteur.
- Pendant le déplacement du chariot, veillez à ce que le cordon d'alimentation soit correctement replié et fixé.
- Lorsque vous déplacez des chariots sur un sol inégal, merci d'essayer de le soulever légèrement et de le stabiliser pour éviter les dégâts.

## European Community Compliance Statement (Class A)



This product is herewith confirmed to comply with the requirements set out in the Council Directives on the Approximation of the laws of the Member States relating to Electromagnetic Compatibility Directive 2014/30/EU.

**Warning:** This is a class A product. In a domestic environment, this product may cause radio interference in which case the user may be required to take adequate measures.

### DISCLAIMER

No warranty or representation, either expressed or implied, is made with respect to the contents of this documentation, its quality, performance, merchantability, or fitness for a particular purpose. Information presented in this documentation has been carefully checked for reliability; however, no responsibility is assumed for inaccuracies. The information contained in this documentation is subject to change without notice.

In no event will AVer Information Inc. be liable for direct, indirect, special, incidental, or consequential damages arising out of the use or inability to use this product or documentation, even if advised of the possibility of such damages.

### TRADEMARKS

“AVer” is a trademark owned by AVer Information Inc. Other trademarks used herein for description purpose only belong to each of their companies.

### COPYRIGHT

©2023 AVer Information Inc. All rights reserved. | August 14, 2023

All rights of this object belong to AVer Information Inc. Reproduced or transmitted in any form or by any means without the prior written permission of AVer Information Inc. is prohibited. All information or specifications are subject to change without prior notice.



The mark of Crossed-out wheeled bin indicates that this product must not be disposed of with your other household waste. Instead, you need to dispose of the waste equipment by handing it over to a designated collection point for the recycling of waste electrical and electronic equipment. For more information about where to drop off your waste equipment for recycling, please contact your household waste disposal service or the shop where you purchased the product.

## Help

### Global

Download Center: <https://www.aver.com/download-center>

Technical Support: <https://www.aver.com/technical-support>

### Europe

Download Center: <https://www.avereurope.com/download-center>

Technical Support: <https://www.avereurope.com/technical-support>

## Contact Information

### Global

AVer Information Inc.

<https://www.aver.com>

8F, No.157, Da-An Rd., Tucheng Dist., New Taipei City 23673, Taiwan

Tel: +886 (2) 2269 8535

### European Headquarters

AVer Information Europe B.V.

<https://www.avereurope.com>

Westblaak 134, 3012 KM, Rotterdam, The Netherlands

Tel: +31 (0) 10 7600 550

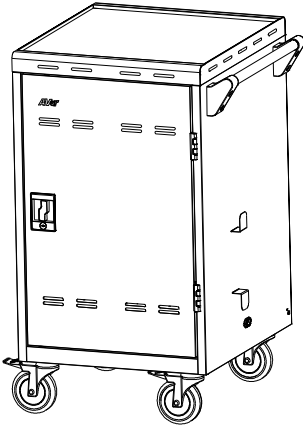
Technical support: [eu.rma@aver.com](mailto:eu.rma@aver.com)

# Contents

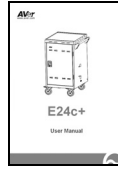
Package Contents .....	1
Dimensions .....	1
Diagram .....	2
Door Lock .....	3
Installation.....	4
Adapter Installation .....	4
Cable Management .....	5
Charging Cart .....	6
Troubleshooting .....	7
Specifications.....	8
Service and Warranty .....	9
Appendix – Earthing .....	10

# Package Contents

The following items are included in the package. Please check if each item is available before using.



**E24c+ Cart**



**User Manual**



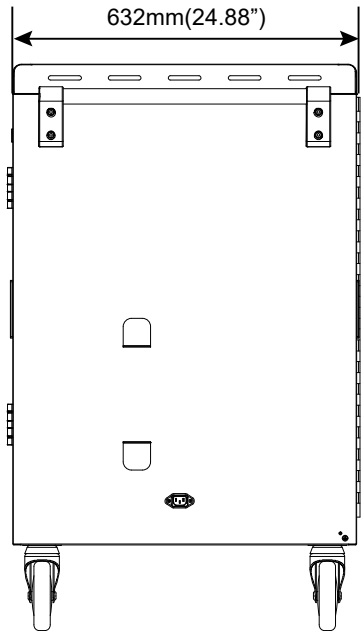
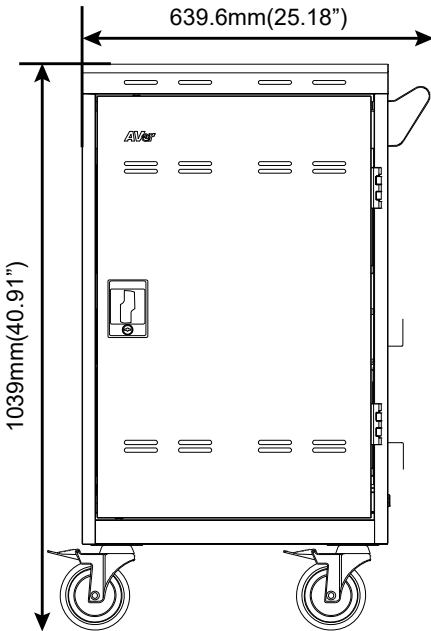
**Door key x4**



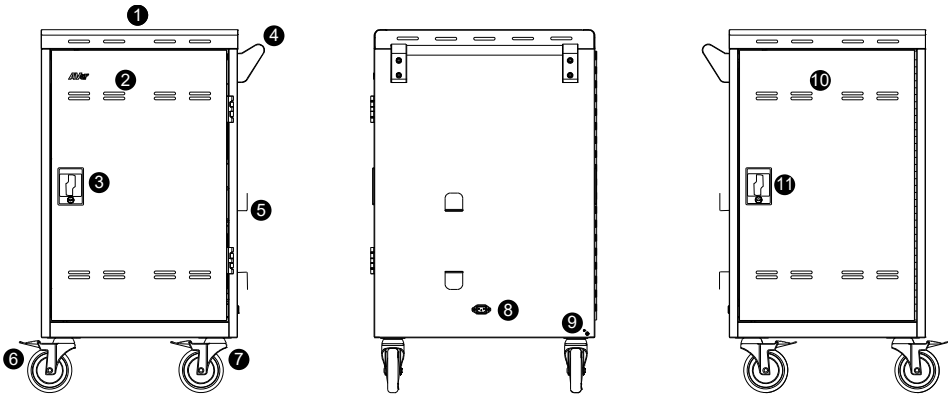
**Power Cord\***

\*The power cord type may vary as they are country dependent.

# Dimensions



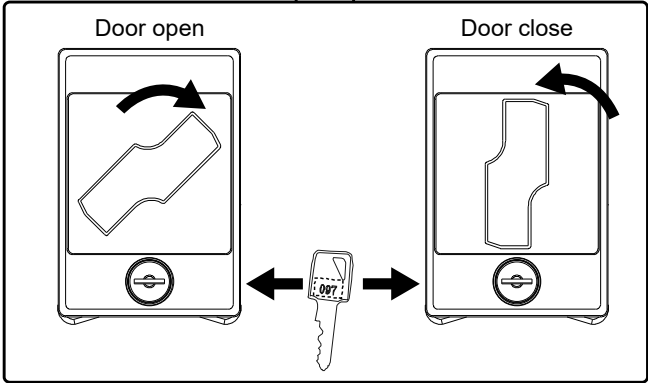
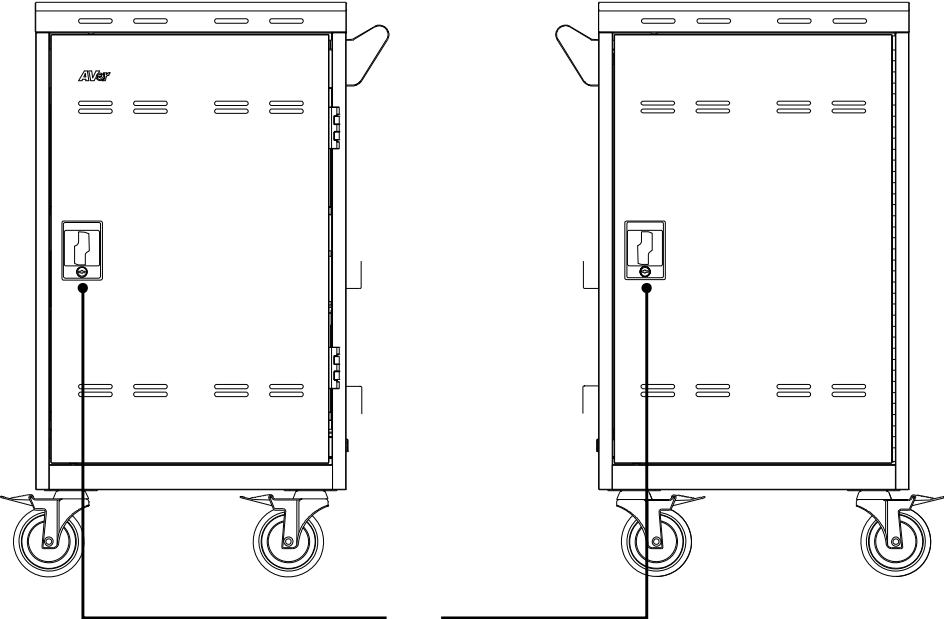
# Diagram



Front	Side	Back
1. Work platform	8. Power inlet	10. Ventilation holes
2. Ventilation holes	9. Earthing screw	11. Door lock
3. Door lock		
4. Handle		
5. Power cable wrap brackets		
6. 5" directional lock caster*		
7. 5" locking caster		

\*Keep the cart rolling in the fixed direction

# Door Lock

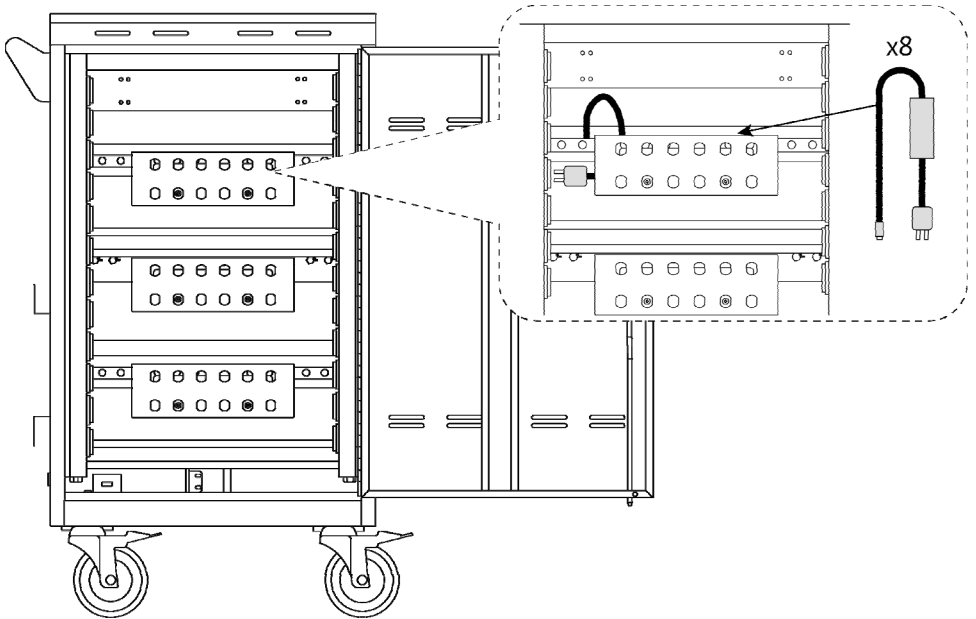


# Installation

1. Use cable ties (optional) to secure and manage cables.
2. It is recommended to allocate 2 persons for efficient device cabling.

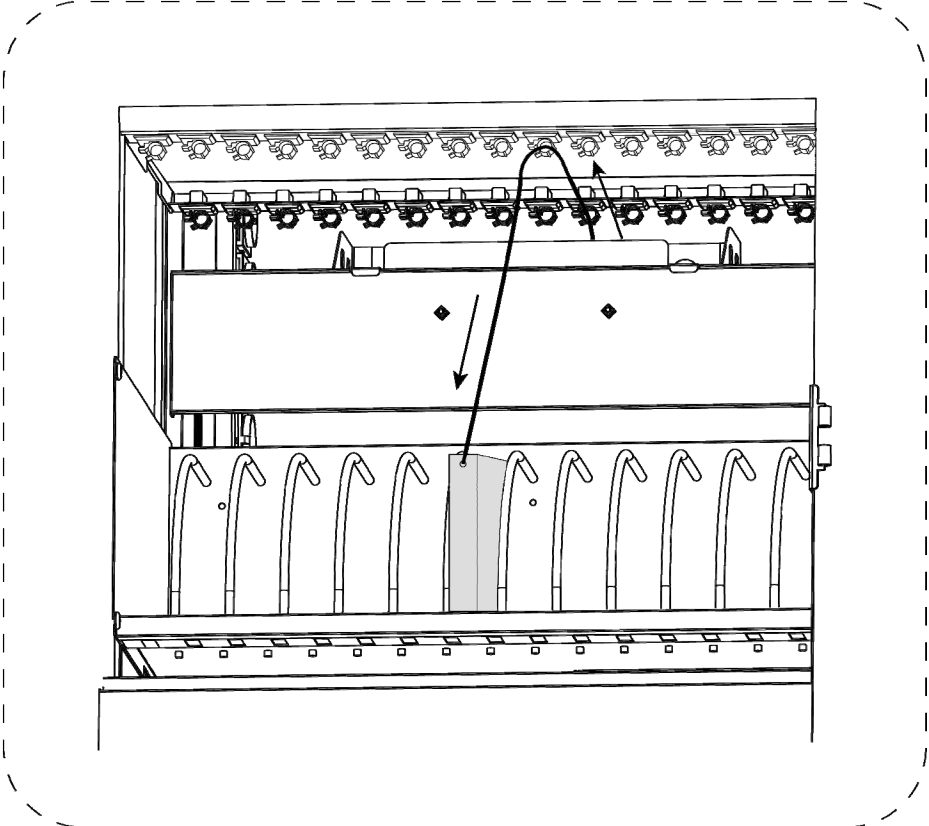
## Adapter Installation

1. Open the rear door.
2. Place the power adapter into the adapter box on each shelf.
3. Pass the DC-end of the adapter cable to the front of the cart through the space provided.
4. Plug-in the AC-end power cord to the corresponding power AC socket.
5. Bundle the cable and secure it with a cable tie or zip-tie (not supplied).

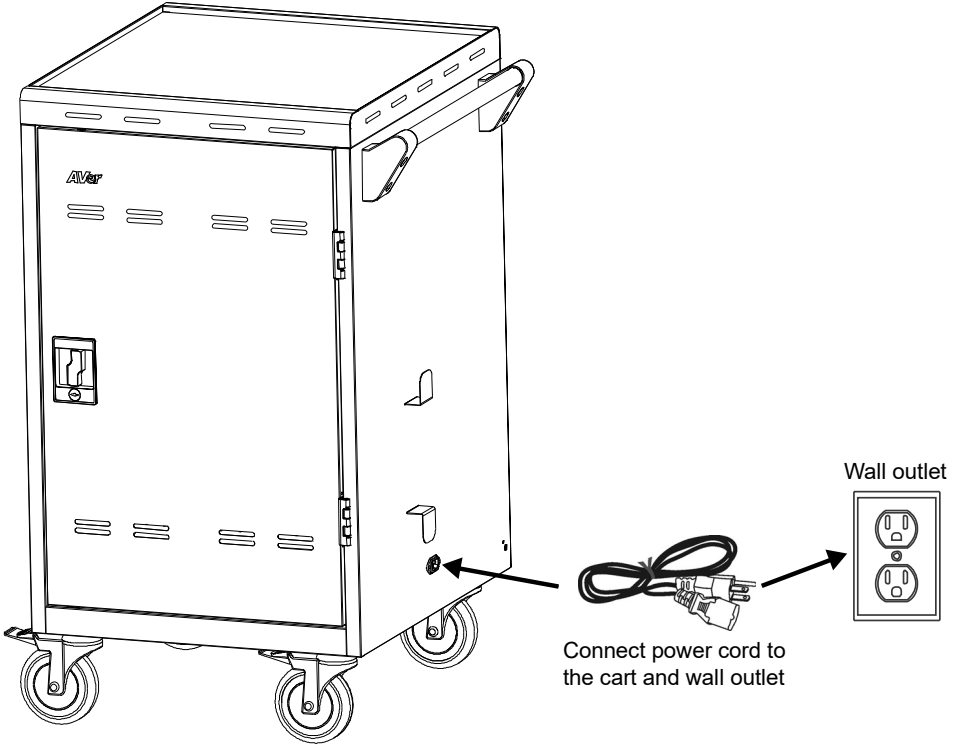


# Cable Management

1. Open front door.
2. Route the cable through the cable hook as the image below.
3. Place the mobile device into each bay.
4. Plug in the DC-connector to the mobile device.



# Charging Cart



**[Note]** The power inlet and power cord type may vary as they are country dependent.

# Troubleshooting

**Q: Why are all of my devices plugged in but not charging?**

- A: 1. Make sure power cords are undamaged.
2. Make sure power cords are firmly inserted into the available socket with the stable current.
  3. Make sure the power plug and current consumption are compliant with your country specification standards.

**Q: My cart's main power cord or cart components are damaged. Are they covered under warranty?**

A: We provide a 10 year warranty on the cart and tray, and 5 years warranty on the electrical components.

**Q: How do I know if my devices will exceed more than the allotted current?**

A: Have a qualified electrician verify the current consumption of your devices. Perform the test with devices installed and batteries discharged.

**Q: When I plug in the device it trips the circuit breaker. What is wrong?**

A: You may have other equipment or appliances sharing the same circuit that is causing a circuit overload. Have a qualified electrician check that adequate power is available in the circuit.

# Specifications

<b>Model</b>	E24c+
<b>Capacity</b>	24 (two shelves, 12 bays per shelf)
<b>Supported Devices</b>	Mobile devices up to 15.6"
<b>Charging Type</b>	Smart Cycling Charge
<b>Power Specification</b>	AC IN: 220~240V, 50/60Hz, 8A Power Strip: 220~240V, 50/60Hz, 8A
<b>Security</b>	Front Doors: 2-point steel locking mechanism Rear Doors: 2-point steel locking mechanism
<b>Casters</b>	Four 5" casters: two are lockable and two directional lock
<b>Door Hinge</b>	180°
<b>Work Platform Loading</b>	20kg (44.09lbs)
<b>Shelf Loading(ea.)</b>	43.54kg (95.98lbs)
<b>Adapter Basket Loading(Total)</b>	5.5kg (12.12lbs)
<b>Working Temperature</b>	0°~30°C
<b>Working RH%</b>	10%~90%
<b>Storage Temperature</b>	-40°C~60°C
<b>Storage RH%</b>	5%~95%
<b>Warranty</b>	10 years for cart and tray 5 years for electrical components
<b>Cart Dimensions (W x D x H)</b>	639.6 (W) x 632 (D) x 1039 (H)mm 25.18"(W) x 24.88"(D) x 40.91"(H)
<b>Slot Dimensions (W x D x H)</b>	Upper side drawer : 32.0(W) x 420.0(D) x 320.0(H)mm 1.26"(W) x 16.53"(D) x 12.59"(H) Lower side drawer: 32.0(W) x 420.0(D) x 320.0(H)mm 1.26"(W) x 16.53"(D) x 12.59"(H)
<b>Weight without Devices</b>	51.69 Kg (113.96lbs)

**[Note 1]** Specifications are subject to change without prior notice.

**[Note 2]** Supported Devices: please check actual device size, including power cable for compatibility with device compartment size. If in doubt please contact AVer for confirmation.

## **Service and Warranty**

All of our products come with a quality and safety assurance.

For customers located outside North America, please visit AVer Global support site:  
<https://www.aver.com/technical-support>

For customers located in Europe, please visit the AVer support site for comprehensive RMA, Warranty, and Service information:  
<https://presentation.avereurope.com/warranty>

## Appendix – Earthing

### [Caution]

High touch current, Connect to earth before connecting to supply.  
(Yellow/Green wire min. 14AWG)

### [Note]

Installation of the protective earthing connection of the socket-outlet by a skilled person.

### [Attention]

Contact à courant élevé,  
Reliez l'appareil à la terre avant de la connexion à l'alimentation en courant.  
(Câble jaune/vert min. 14AWG)

### [Remarque]

L'installation du branchement de mise à la terre sécurisée d'une prise de courant par un professionnel qualifié.

