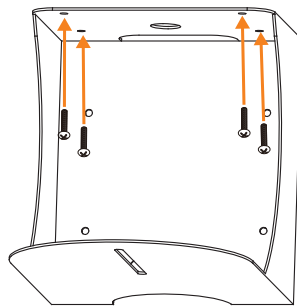
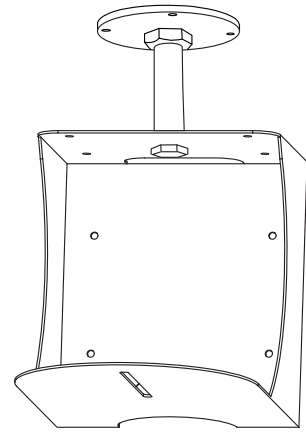


Wall Mount



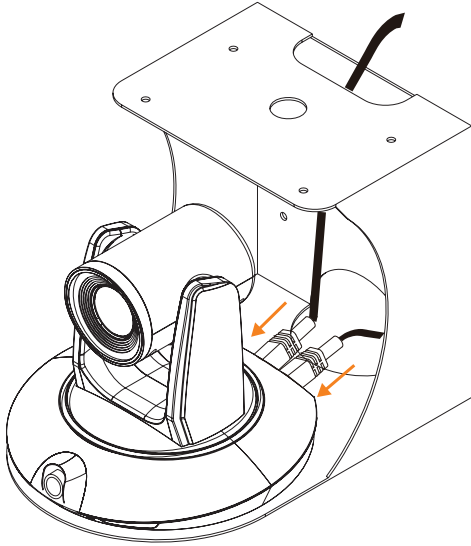
Ceiling Mount



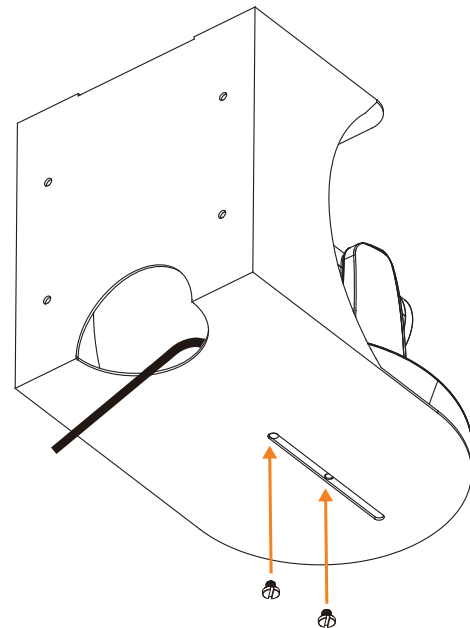
Pole Mount

1. Secure the mount bracket with M5 screws on the wall or on the ceiling. Or use a pole to secure the mount bracket to the ceiling.

[Note] The M5 screws and the pole are not included in the package.



2. Connect the necessary cables to the camera.

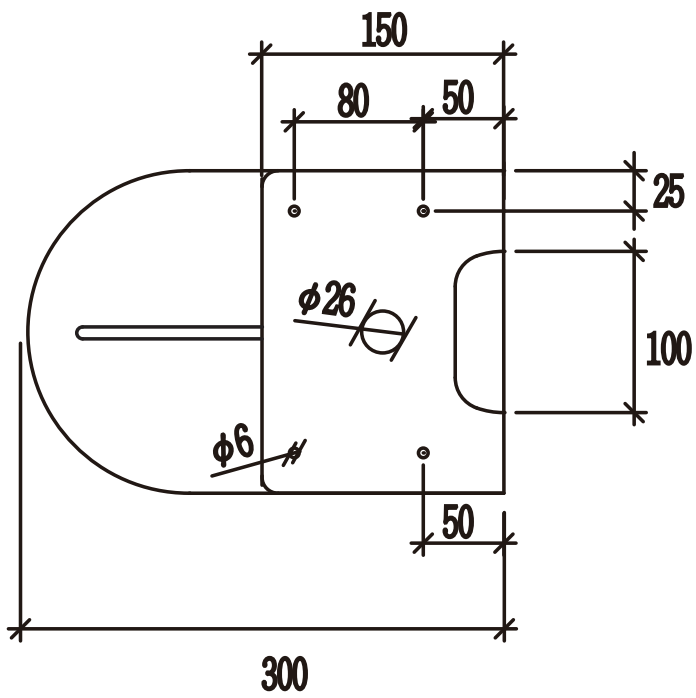


3. Secure the camera on the mount bracket with the screws.

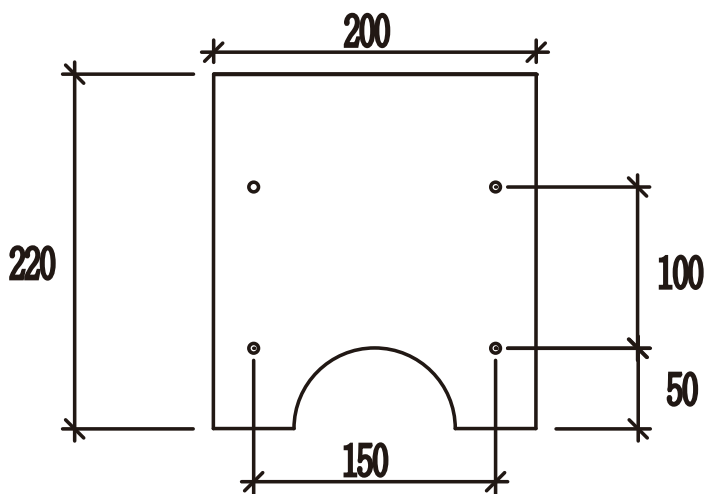
[Note] screw size: 1/4"-20L=6.5mm (not included in the package)



Mount bracket dimension (in mm)



Top view



Side view