



**Products:** CAM340

**Firmware Version:** 0.0.0002.26

**Published Date:** May 15 2019

**Copyright © 2016**

---

## Copyright Notice

This publication, including all photographs, illustrations and software, is protected under international copyright laws, with all rights reserved. Neither this manual, nor any of the material contained herein, may be reproduced without written consent of the author.

## Disclaimer

The information in this document is subject to change without notice. The manufacturer makes no representations or warranties with respect to the contents hereof and specifically disclaim any implied warranties of merchantability or fitness for any particular purpose. The manufacturer reserves the right to revise this publication and to make changes from time to time in the content hereof without obligation of the manufacturer to notify any person of such revision or changes.

## Limitations of Liability

UNDER NO CIRCUMSTANCES SHALL AVER BE LIABLE FOR DAMAGES OF ANY CHARACTER (E.G. DAMAGES FOR LOSS OF PROFIT, SOFTWARE RESTORATION, WORK STOPPAGE, LOSS OF SAVED DATA OR ANY OTHER COMMERCIAL DAMAGES OR LOSSES) RESULTING FROM THE APPLICATION OR IMPROPER USE OF THE AVER PRODUCT OR FAILURE OF THE PRODUCT, EVEN IF AVER IS INFORMED OF THE POSSIBILITY OF SUCH DAMAGES. FURTHERMORE, AVER WILL NOT BE LIABLE FOR THIRD-PARTY CLAIMS AGAINST CUSTOMER FOR LOSSES OR DAMAGES. AVER WILL IN NO EVENT BE LIABLE FOR ANY DAMAGES IN EXCESS OF THE AMOUNT AVER RECEIVED FROM THE END-USER FOR THE PRODUCT.

## Content

Revision History and System Requirement .....	2
Important Notice .....	3
New Features .....	4
Problems Fixed .....	6
Known Issues .....	7



## Revision History and System Requirement

Firmware Version	Region	Date
0.0.0002.26	WW	May 15, 2019
0.0.0002.24	WW	February 11,2019
0.0.0002.22	WW	November 09,2018
0.0.0002.20	WW	October 15,2018
0.0.0002.06	WW	March 16, 2018
0.0.0000.42	WW	October 05, 2017
0.0.0000.36	WW	July 05, 2017
0.0.0000.32	WW	May 24, 2017

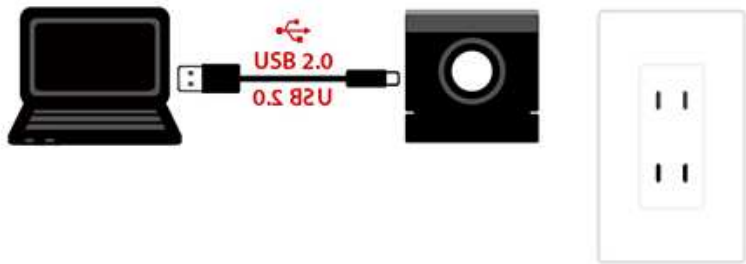



## **Important Notice**

1. Downgrading firmware to any older version is prohibited.
2. During system upgrade, please DON'T turn off the power for any reasons.
3. If speakerphone connected improperly, please re-connected correctly and it will take 3 seconds to reset.
4. PTZApp must be upgraded to Windows 1.3.1077.83; MAC version: 1.3.1052.59 in order to select the type of remote control used.
5. Device will be assigned unique identification to conform to USB2.0 detection rule starting from v0.0.0014.02 (all devices will be detected when plugged in for the first time).



## New Features

Firmware Version	New Features
0.0.0002.26	Support brightness up/down control on remote control by pressing #, * button.
0.0.0002.24	None, the version is for bug fixed
0.0.0002.22	None, the version is for bug fixed
0.0.0002.20	<ol style="list-style-type: none"> <li>Support flip image.</li> <li>Set Audio off as default. Users have to enable audio (speaker and microphone) function by using PTZapp</li> <li>Users have to update PTZapp (Windows version:1.3.1073.74; MAC version: 1.3.1052.59).</li> <li>Cancel USB2.0 warning message and change to “Please plug in adaptor...” The reason why we changed the wording is because some PC’s USB ports don’t provide sufficient or stable power current even when the port is USB3.0. Original:           <div style="text-align: center;">  </div>             New:           <div style="text-align: center;">  </div> </li> </ol>
0.0.0002.06	None, the version is for bug fixed
0.0.0000.42	<ol style="list-style-type: none"> <li>Add smooth PTZ feature.</li> <li>Modified : reduce 3840x2160 mjpeg latency from ~2sec to ~1sec</li> <li>Improve: preset switch transient</li> </ol>
0.0.0000.36	<ol style="list-style-type: none"> <li>Add preset un-support icon</li> </ol>



	<ul style="list-style-type: none"> <li>2. Add preset image to remind user don't support ePTZ in 4K and 60 fps mode</li> <li>3. Remove usb2 720p@10</li> <li>4. Add power line frequency disable option(Default: disable)</li> <li>5. Add paste preset image control API</li> <li>6. Modified. Avoid power line frequency reset to default on MAC</li> <li>7. Modified. DC plug in remind image</li> </ul>
0.0.0000.32	1st release

\*FaceLumi: Enhance facial features by correcting skin tone and activates auto focus and auto exposure.



## Problems Fixed

Firmware Version	Problem Fixed
0.0.0002.26	None
0.0.0002.24	Fix random over exposure issue.
0.0.0002.22	Adjust mipi parameter to fix random video stream error issue
0.0.0002.20	None
0.0.0002.06	It will lead to ISP failed if users execute ISP and use video at the same time. Fix the ISP bug.
0.0.0000.42	None
0.0.0000.36	None
0.0.0000.32	None



## Known Issues

Firmware Version	Problem Fixed
0.0.0002.26	None
0.0.0002.24	None
0.0.0002.22	None
0.0.0002.18	None
0.0.0002.06	None
0.0.0000.42	None
0.0.0000.36	None
0.0.0000.32	None

