





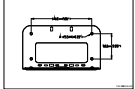





CAM520 USB Camera

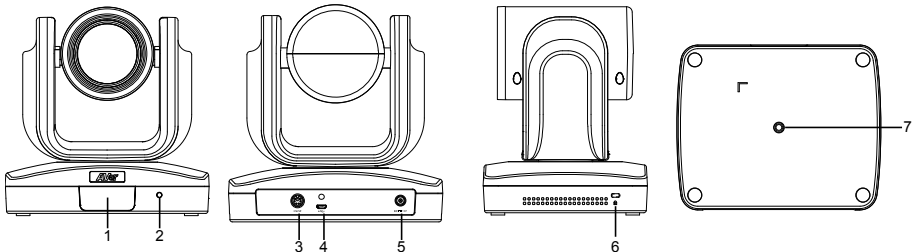
Quick Start Guide

Package Contents

CAM520 unit	Power adapter Power cord*	USB cable	Remote Control
			
L-Mount	Tripod screw	Drilling paper	AAA Battery x2
			
Quick Guide	Warranty card		
			

* The power cord will vary depending on the country where it is sold.

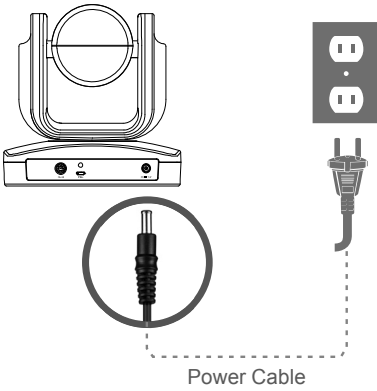
Overview



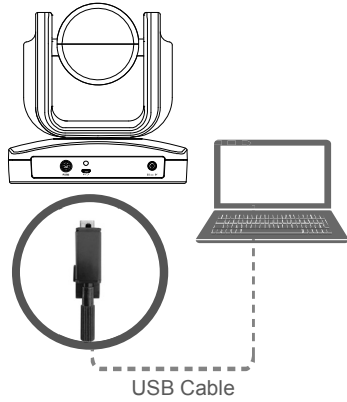
1. IR Sensor
2. Power Indicator
3. RS232 Connection*
4. USB port
5. Power Jack
6. Kensington Lock
7. Screw hole for mounting

Hardware Installation

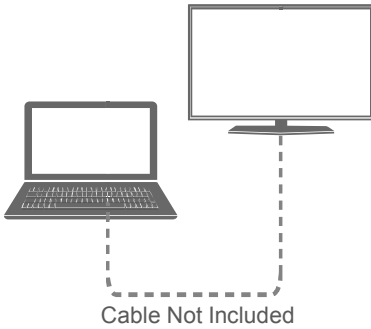
1. Connect camera to power outlet.



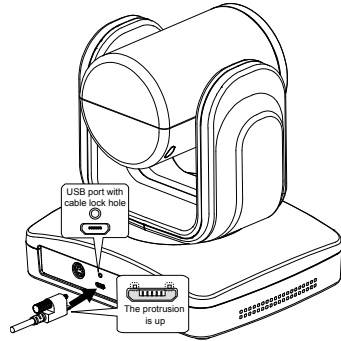
2. Connect camera to computer.



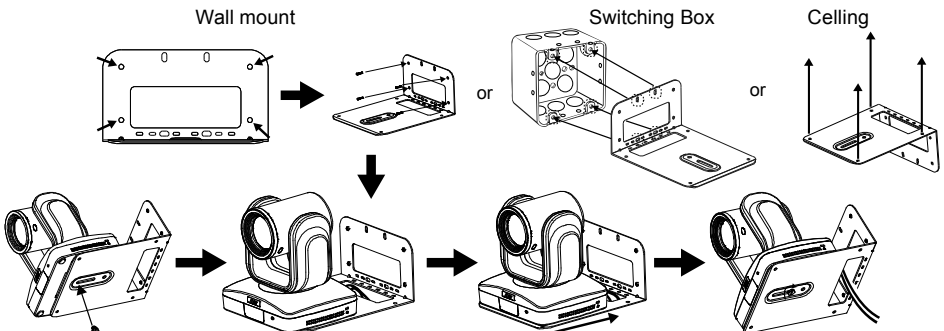
3. Connect computer to monitor.



4. Secure the USB cable.



5. Wall mount installation



Making a Video Call

A computer is required to use this device.

Step 1: Open your video collaboration application such as Skype™, Skype for Business, Google Hangouts™, Zoom™, Bluejeans, WebEx™, Adobe Connect™, WebRTC

Step 2: Set the CAM520 as your primary camera devices in your application (Please consult your application setup guide for details.).

Step 3: Ready to make a video call.

Quick Reference

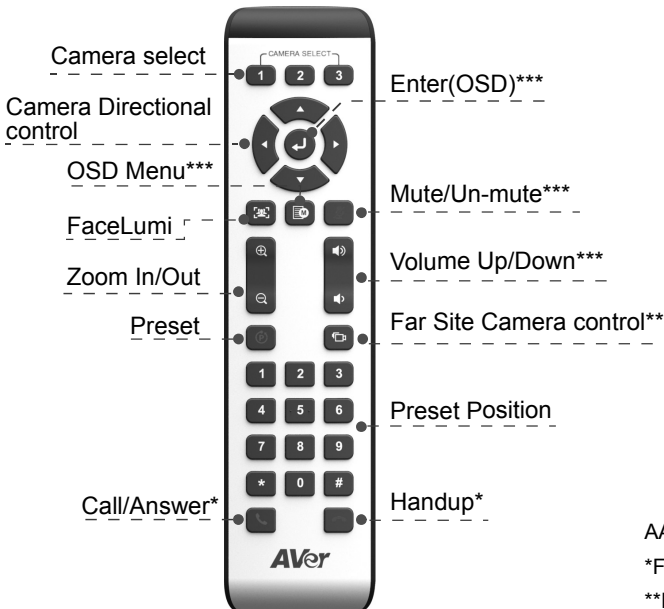
Camera Preset (P) – The Preset button on the remote serves 2 functions.

- ✓ **To Save a Preset** – Move camera to desired position. Press and HOLD the preset button until you receive the save message on the screen. Select 0-9 to store the current camera position. Repeat if needed.
- ✓ **To load a Preset** – TAP the preset button, select 0 – 9 to load a saved camera position. Repeat steps if needed.

Pan/Tilt (C) – To move the camera, point the remote at the camera. Use the directional buttons to guide the camera to the desired position.

IMPORTANT: DO NOT PHYSICALLY MOVE THE CAMERA BY HAND WHEN POWER IS APPLIED. THIS WILL DAMAGE YOUR CAMERA.

Remote Controller



AAA Batteries (required)

*Function requires AVer PTZApp

**Future Support

***Not support for CAM520

More Help

The CAM520 is a Plug-n-Play USB camera. The system requires no special drivers, but we highly recommend installing the AVer PTZApp for the best user experience.

Please visit <http://www.aver.com/download-center> for more information.

For FAQs, technical support, software and user manual download, please visit: <http://www.aver.com>

Contact Information

Headquarters

AVer Information Inc.

www.aver.com

8F, No.157, Da-An Rd., Tucheng Dist.,

New Taipei City

Taiwan

AVer Information Europe B.V.

Westblaak 140, 3012KM,

Rotterdam, Netherland

Tel: +31(0)10 7600 550

Technical support:

EU.RMA@aver.com

Federal Communication Commission Interference Statement

NOTE: This equipment has been tested and found to comply with the limits for a Class A digital device, pursuant to part 15 of the FCC Rules. These limits are designed to provide reasonable protection against harmful interference when the equipment is operated in a commercial environment. This equipment generates, uses, and can radiate radiofrequency energy and, if not installed and used in accordance with the instruction manual, may cause harmful interference to radio communications. Operation of this equipment in a residential area is likely to cause harmful interference in which case the user will be required to correct the interference at his own expense.

FCC Caution: Any changes or modifications not expressly approved by the party responsible for compliance could void the user's authority to operate this equipment.

This device complies with part 15 of the FCC Rules.

Operation is subject to the following two conditions:

- (1) This device may not cause harmful interference, and
- (2) this device must accept any interference received, including interference that may cause undesired operation.

Warning: This is a class A product. In a domestic environment this product may cause radio interference in which case the user may be required to take adequate measures.

CAUTION

- Risk of explosion if battery is replaced by an incorrect type.
- Dispose of used batteries in a safe and proper manner.

Remote Control Battery Safety Information

- Store batteries in any cool & dry place.
- Do not dispose used batteries in domestic waste. Dispose batteries at special collection points or return to stores if applies.
- Remove the batteries if they are not in use for long period of time. Battery leakage and corrosion can damage the remote control, dispose batteries safely.
- Do not mix and use old and new batteries.
- Do not mix and use different types of batteries: alkaline, standard (carbon -zinc) or rechargeable (nickel-cadmium).
- Do not dispose batteries in a fire.
- Do not attempt to short circuit the battery terminals.
-