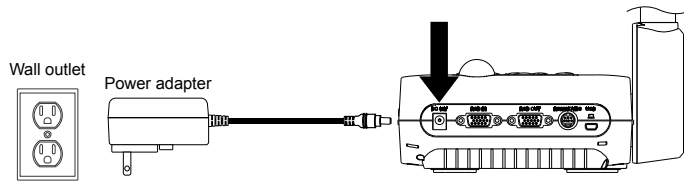


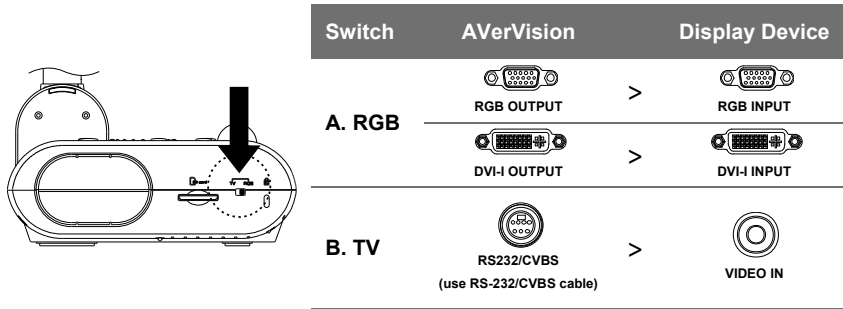
AVerVision F – Series

Quick Guide

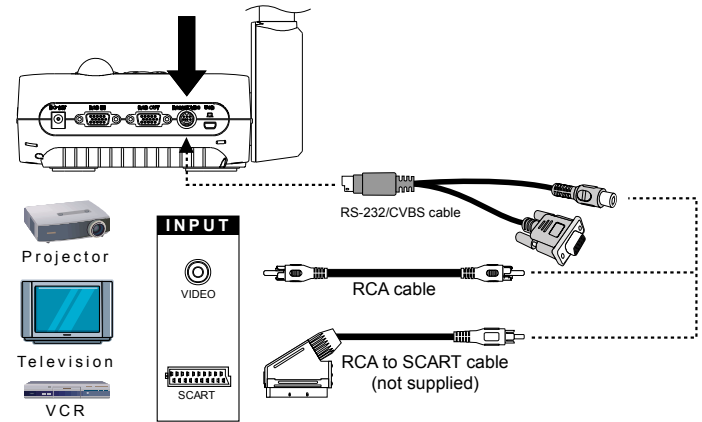
(1)



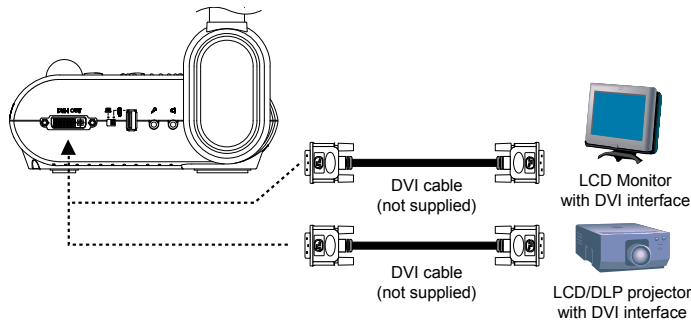
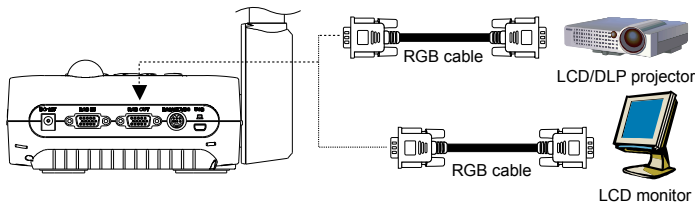
(2)



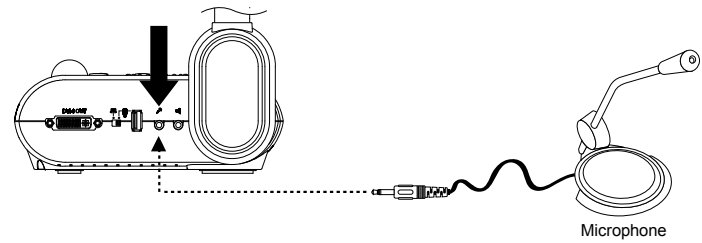
(3-B)



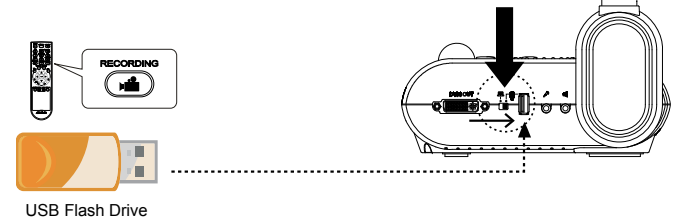
(3-A)



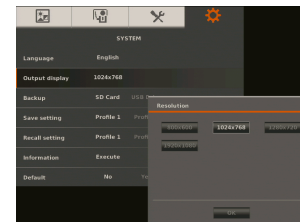
(4)



(5)



(6)

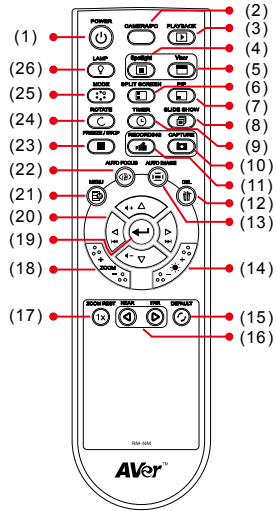


Output Display

Set the resolution to display the image on screen. This selection will be disabled in TV output mode.

Remote Control

The remote control requires two (2) “AAA” size batteries (supplied), make sure batteries are installed properly before use.

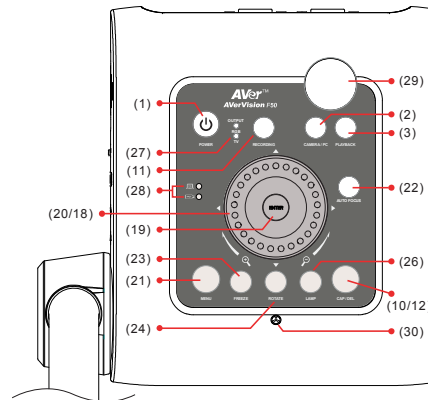


Name	Function
(1) POWER	Turn the unit on/standby.
(2) CAMERA / PC	Switch between Camera and computer mode. - Camera mode displays the video signal from the built-in camera. - PC mode displays the video signal from the RGB INPUT port.
(3) PLAYBACK	View the captured picture/video from the memory in 16-thumbnail images.
(4) Spotlight	Overlay a frame on the presentation screen. The frame is resizable and can be moved around.
(5) Visor	Cover part of the presentation screen and allow presenter to reveal the material as desired.
(6) SPLIT SCREEN	Divide the screen into two. One side displays the live image from the built-in camera and the other side displays 8-thumbnail size picture/video from the memory.
(7) PIP	Show a thumbnail size captured picture/video from the memory at the corner of the screen in Camera mode.
(8) SLIDE SHOW	Start/Stop automatically displaying the captured picture/video one at a time.
(9) TIMER	Start/Pause/Stop the timer countdown and set the timer duration.
(10) CAPTURE	Capture still image in Camera mode. In continuous capture mode, press this button again to stop.
(11)* RECORDING	Start/Stop audio & video recording. Video recording can only be saved either in a SD memory card or a USB flash drive.
(12) DEL	Delete the selected picture/video in Playback mode.
(13) AUTO IMAGE	Automatically adjust and set the white balance and exposure setting.
(14) BRIGHTNESS	Adjust the brightness.
(15) DEFAULT	Reset at factory default setting.
(16) NEAR / FAR	Adjust the focus manually.
(17) ZOOM RESET	Reset zoom level to 100%.



A PDF version of our Reference Manual is available for download from the following link: <http://www.averusa.com/presentation/support.asp>

Name	Function
(18) ZOOM +/-	- Increase/decrease the image magnification in camera and picture playback mode. - Use to easily page up and page down 16-thumbnail picture preview.
(19) ⏪	- Make a selection in Playback mode and OSD menu. - Play/Pause video playback.
(20) ▲, ▼, ◀, ▶, &	- Pan the image when image is above 10X zoom in live mode or in playback captured image mode. - Move the selection in Playback mode and in OSD menu. - Use ▲ & ▼ to increase and decrease the video playback volume. - Use ◀ & ▶ to play the video backward and forward. - Move the Spotlight frame and Visor screen cover.
(21) MENU	Open and exit the OSD menu.
(22) AUTO FOCUS	Adjust the focus automatically.
(23) FREEZE / STOP	- Freeze live images. - Stop video playback.
(24) ROTATE	Rotate the image by 90° in Camera mode and Playback mode.
(25) MODE	Select from 6 type of modes: Sharp - adjust the contrast along the edges making text appear more visible. Graphics - adjust the gradient of image. Motion - increase frame rate. Sufficient lighting is required when using this mode. Microscope - automatically adjust optical zoom for microscopic viewing. *Macro - set to view when object is only 5 – 20 cm away from the camera. *Infinite - set to view when subject is at least 55cm away from the camera.
(26) LAMP	Turn the overhead light on/off.



Name	Function
(27) OUTPUT LED	Indicate the TV-RGB switch selection to which port the video signal is sent out.
(28) USB Switch LED	Indicate the USB switch selection to which USB port is activated.
(29) IR sensor	Aim the remote control at the IR sensor to operate the unit.
(30) Built-in MIC	Record audio when recording video clip. The recorded sound will be in monophonic.

* Available only for higher-end model.