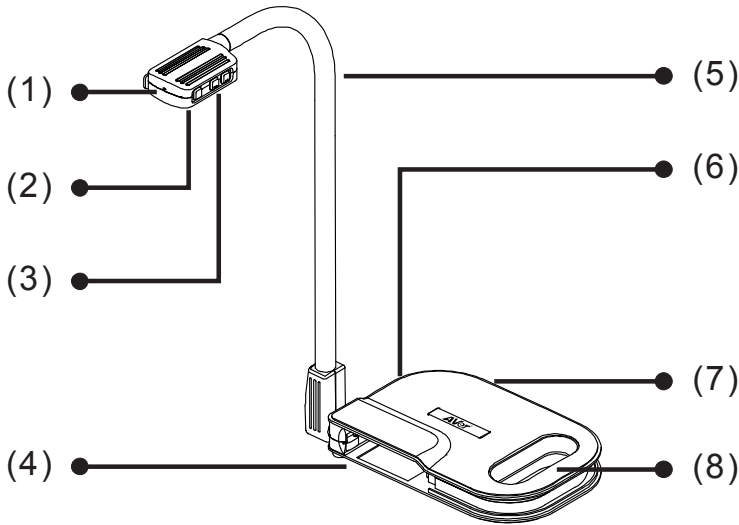


AVerVision U15 is a USB powered document camera. It comes with 2 extra USB Hubs wherein you can connect any external USB device such as keyboard, mouse, USB flash drive and more. A power adaptor is supplied and can be used in cases where the connected external USB device requires more power.



Parts

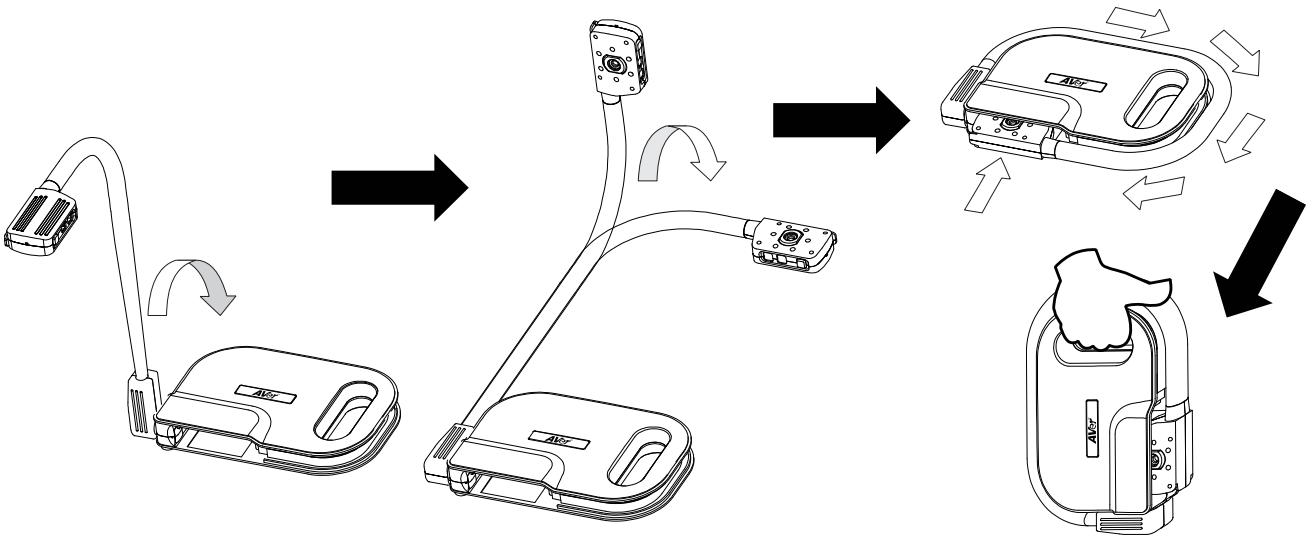
- (1) Mic
- (2) Camera sensor and LED
- (3) Camera/LED/AF buttons
 - Camera - capture a still image.
 - LED - turn the overhead LED light on/off
 - AF - Automatically Adjust the Focus.
- (4) Camera holder
- (5) Flex arm
- (6) USB ports panel
- (7) Power port panel
- (8) Holder

Folding and Storing

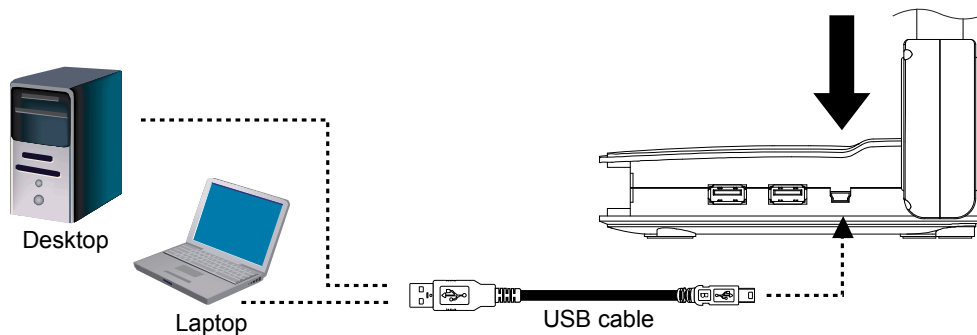
The flex arm design allows you to freely bend the arm and store the camera head in the camera holder. Once you have properly secured the camera head to the camera holder, you may now carry the AVerVision U15 from the built-in holder.



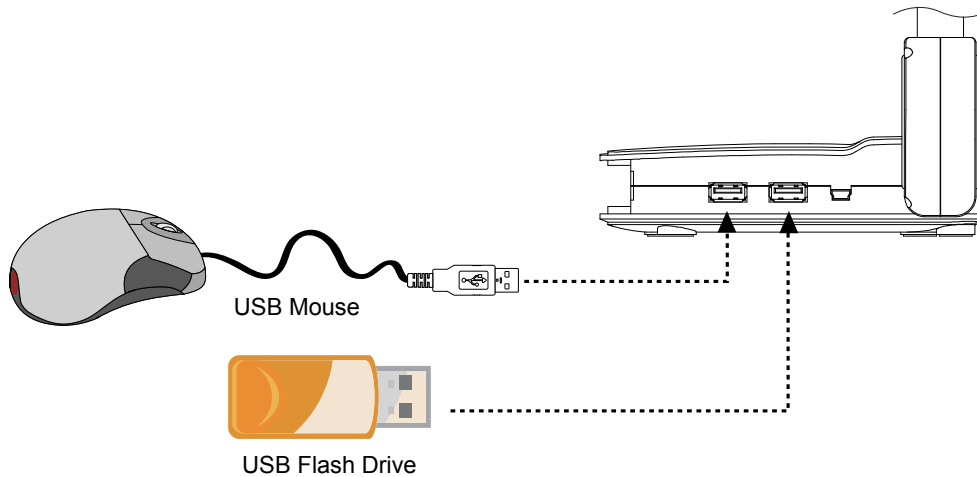
Adjust the camera head gently and **DO NOT** forcibly twist the camera head back and forth or around. It may break the camera head off from the flex arm.



Connecting the AVerVision U15 to a computer



Connecting the External USB Device to AVerVision U15



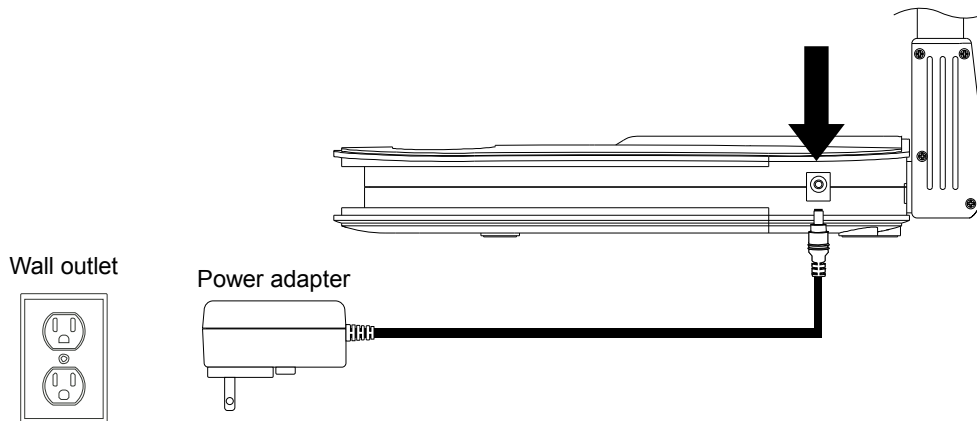
Connecting a Power Adapter (Optional)

Connect a power adapter to a standard 100V~240V AC power outlet.



The power from the computer USB is sufficient enough to power AVerVision U15. However, if your laptop or desktop USB port does not supply as much power as the USB specification says it should, then you may encounter problems and need an external power supply.

The symptoms of insufficient power are typically the U15 randomly appearing and disappearing from Device Manager, and accompanying beeps. If a power supply is required, the specification for the power adapter is 5Vdc, 3A.



General Specification

Image

Sensor	CMOS
Pixel Count	2 megapixels
Frame Rate	30 fps (max.)
TV Lines	600 (center)
Resolution	1920x1080, 1280x720, 1024x768, 640x480

Optics

Focusing	Auto
Shooting Area	431mm x 254mm @ 475mm height 17.7in x 10in @ 18.7in height
Zooming	8X Digital Zoom

Power

Power Source	DC 5V (3A), 100-240V, 50-60Hz from host equipment or adapter (optional)
--------------	---

Consumption	1.9 Watts (lamp on); 1.7 Watts (lamp off)
-------------	---

Lighting

Lamp Type	LED light
-----------	-----------

Input/Output

USB mini	Power and signal connectivity to host equipment
USB Hub (2x)	USB2.0
DC 5V Input	Power Jack
MIC	Built-in

Dimension

Operating	390mm x 248mm x 447.5mm (+/-2mm include rubber foot)
Folded	259mm x 163mm x 38.79mm (+/-2mm include rubber foot)
Weight	1.5KG (about 3.306lbs)

For detailed warranty information, please visit our website <http://www.aver.com> and select the country where the unit is purchased.

